



## MF55 Film Type Temperature Measurement NTC Thermistor

R25 ( $\Omega$ ): 10K ~ 100K

Uses: computers, printers, household appliances



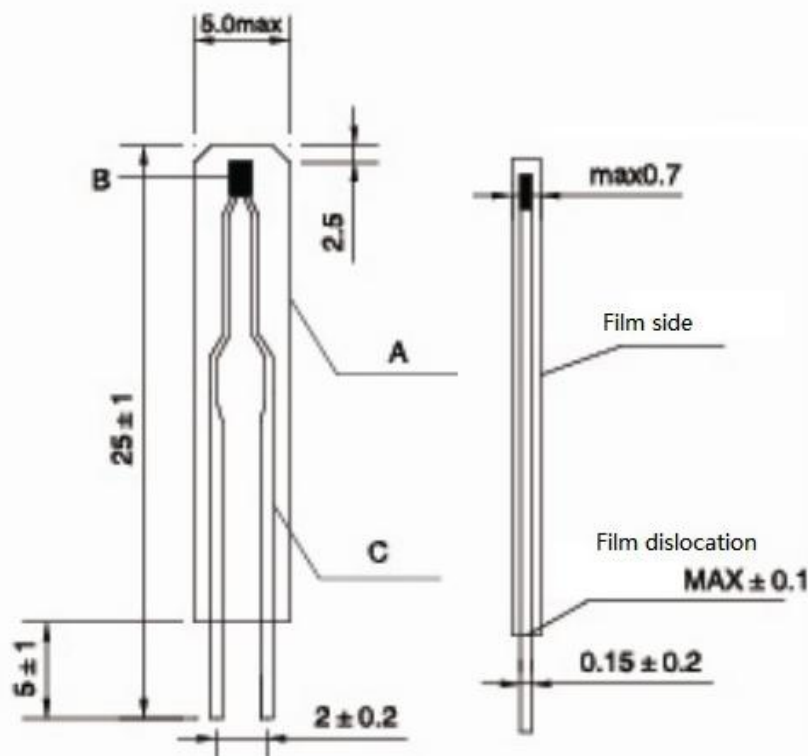
### 1. Application

- Computer
- Printer
- House hold appliance

### 2. Characteristics

- Fast response and high sensitivity
- High stability and reliability
- Superior electrical insulation
- High precision
- Safty secure
- Small size, light weight, solid structure is convenient for auto mounting.

### 3. Dimension (mm)



Code	Material explation
A	Polyimede film
B	Chip
C	Phosphorcopper frame

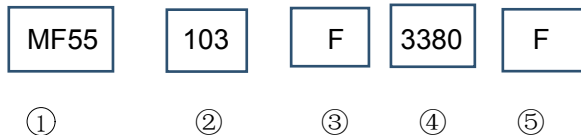


## MF55 Film Type Temperature Measurement NTC Thermistor

### 4. Main parameters

- ◆ Resistance range R25 : 5 ~ 500 KOhm
- ◆ Resistance tolerance :  $\pm 1\%$ ,  $\pm 2\%$ ,  $\pm 3\%$ ,  $\pm 5\%$ ,  $\pm 10\%$
- ◆ B25/50 value : 3270 ~ 4750K
- ◆ B value tolerance :  $\pm 1\%$ ,  $\pm 2\%$
- ◆ Dissipation coefficient:  $\geq 0.8\text{mW}/^\circ\text{C}$  in still air
- ◆ Thermal time constant :  $\leq 5\text{sec}$  in still air
- ◆ Operating temperature range :  $-40 \sim +125^\circ\text{C}$
- ◆ Rated power :  $\leq 50\text{mW}$

### 5. How to order



- ① Type : MF55 Film Type Temperature Measurement NTC Thermistor
- ② Rated zero power resistance: 103-10K Ohm
- ③ Resistance tolerance : F -  $\pm 1\%$ , G -  $\pm 2\%$ , H -  $\pm 3\%$ , J -  $\pm 5\%$ ,
- ④ B value : namely 3380K, 3950K
- ⑤ B value tolerance : F :  $\pm 1\%$ , G :  $\pm 2\%$